

Najel 20.04.2024

| Way Bill / بيان البضاعة | | | |
|---|--------------------------------|--|------------------|
| Job No | 5034034 | Customer Reference No. | |
| Bayan No: | Bill of loading (B/L) No. | Port of Destination: | Vessel Name: |
| | 236039010 | | |
| Sender Name & Address: | | Receiver Name: | |
| Nawara Transport & Freight Co.(NTF) | | | |
| Print Date | 20-04-2024 | | |
| Customer Name & Address: | AAICO Food Industries L.L.C.co | Mobile# | |
| Delivery Date | Pickup From | Loading Place | Delivery address |
| | Dammam port | | JEDDAH |
| Container Number: | HASU5082506 | | |
| Seal Number: | | | |
| Container Type: | 40 FT FLAT BED | | |
| Remarks | | | |
| Commodity | | | |
| Truck No. | 0539211872 | Driver Name | |
| Driver mobile No. | 3489 DDA | Signature | |
| 1 - PARTICULARS ABOVE DECLARED BY SHIPPERS AND NOT LIABILITY TO ATTACHEE'S HERE WITH WHAT SO EVER 2 - SUBJECT TO NTF STANDARD TERMS & CONDITIONS | | 1 - التماسك المذكورة أعلاه التي أعلنتها الشاحنين وعدم وجود مسؤوليته من قِبلنا هنا بل هي من جانب الشاحنين 2 - يخضع لشروط وأحكام شركة نوارا للنقل والتجارة القياسية | |
| Driver Signature توقيع السائق | | Prepared By اعد من قبل | |

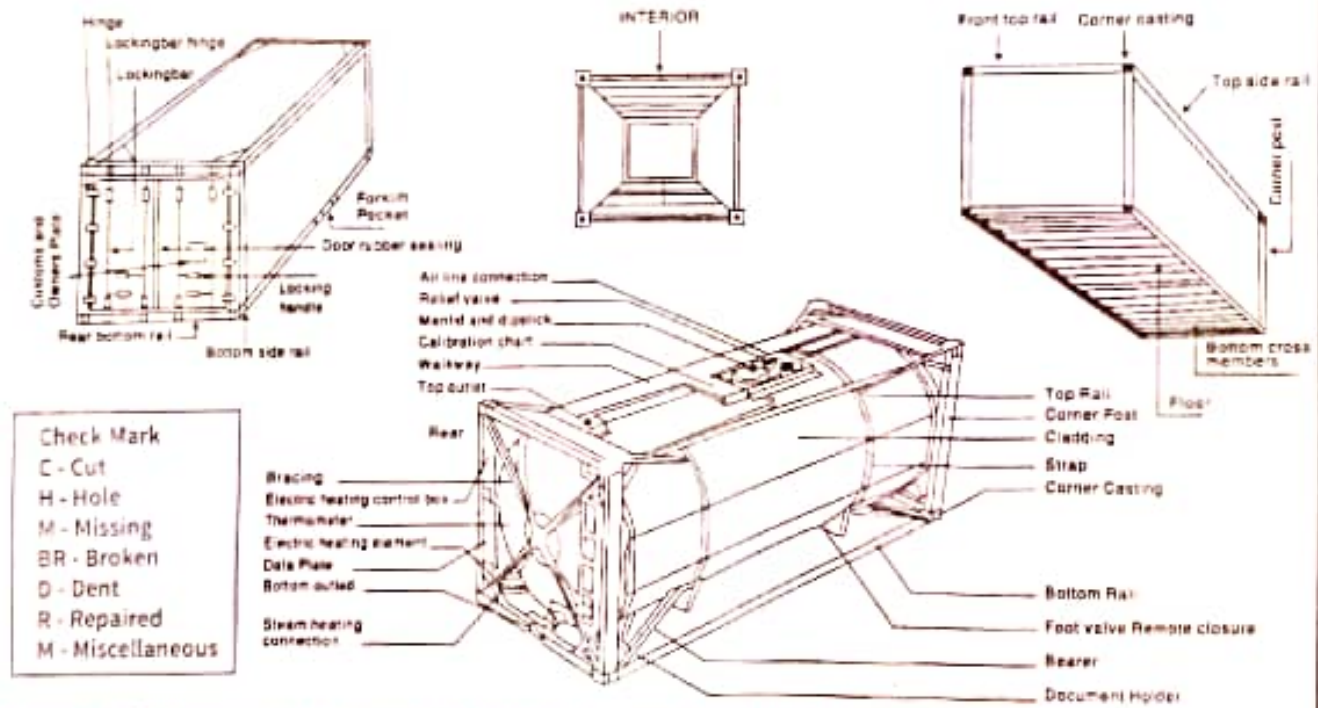
| PLACE OF RECEIPT مكان الاستلام | | سند استلام RECEIPT | | PLACE OF DELIVERY مكان التسليم | |
|--------------------------------|--------------|--|--|--------------------------------|--------------|
| الوقت Time | التاريخ Date | Received the above cargo container in good condition while the seal intact. استلمنا الحاوية المذكورة أعلاه بحالة جيدة مع العزل محتوم. | | الوقت Time | التاريخ Date |
| وصول ARRIVAL | | Name of receiver اسم المستلم كامل | | وصول ARRIVAL | |
| تحميل LOADED | | Signature التوقيع | | تفريغ OFF LOADED | |
| خروج EXIT | | Stamp الختم | | خروج EXIT | |
| وقوف BREAKS STOPPAGES | | | | وقوف BREAKS STOPPAGES | |

| | | | | | |
|--------|-------------|--|---------------|------------------|---------|
| EIR No | 764872 | Container No | CXRU1448680 | Container Type | REEFER |
| Date | 24/04/2024 | Container Size | 40 | Container Status | Class B |
| Time | 08:07:52 PM | Yes <input checked="" type="checkbox"/> Out <input type="checkbox"/> Full <input type="checkbox"/> Empty <input checked="" type="checkbox"/> Yes | Location Code | | |

| | | | | | |
|-------------|-----------|-----------------------|---------------|------------------|--------------------------|
| Truck No | 5758 | Vessel | | Service Required | |
| Driver | SELEFIMAN | Bill Of Lading | MEDUC06400917 | Repairing | <input type="checkbox"/> |
| Shipper | MSC | Tare WT | 4720 | Cleaning | <input type="checkbox"/> |
| Transporter | | Accept / Release Ref. | | Parts Missing | <input type="checkbox"/> |

| | | | |
|--------------|--|-------------|------------|
| Delivered By | | Received By | Terminal-1 |
| Date / Time | | Date / Time | |
| Signed | | Signed | |

Remarks PLEASE MARK CLEARLY ALL DAMAGES AND DEFICIENCIES, USE CHECK MARK, IF NO EXCEPTIONS.



The Gate EIR is for Administrative Purpose Only. In The Event The Equipment Requires Repair Or Cleaning As Per The Inspection Criteria Defined By The Owner Or Operator Of The Equipment A Detailed Cost Estimate Shall Be Forwarded To The Owner / Operation Who Will Assess Liability Of Reddelivering Party Or Other Parties Concerned.

For Delivering Carrier This Equipment Was Received/
Delivered In Good Condition Except As Noted Above.

For Muhaidib Terminal This Equipment Was Received/
Delivered In Good Condition Except As Noted Above.

Comments
OK