



نواره
NAWARA
المهارة للشحن والاقليم
Transportation & Freight Company

Way/Bill / بيان الشحنة			
Job No	S053847	Customer Reference No.	
Bayan No:	Bill of loading (B/L) No.	Port of Destination:	Vessel Name:
	SMNSAU224004885		
Sender Name & Address:		Receiver Name:	
Nawara Transport & Freight Co.(NTF)			
Print Date	18-03-2024		
Customer Name & Address:	National Biscuits and Confectionery Co Ltd	Mobile#	
Delivery Date	Pickup From	Loading Place	Delivery address
	DAMMAM		JED -1ST INDUSTRIAL AREA
Container Number:	HLXU3487888		
Seal Number:			
Container Type:	20 FT FLAT BED		
Remarks			
Commodity			
Truck No.	2285	Driver Name	Jehar
Driver mobile No.		Signature	
1 - PARTICULARS ABOVE DECLARED BY SHIPPERS AND NO LIABILITY TO ATTACHES HERE WITH WHAT SO EVER 2 - SUBJECT TO NTF STANDARD TERMS & CONDITIONS		1 - التفاصيل المذكورة اعلاه التي اعلها الشاحون وعدم وجود مسؤولية مرفقة هنا بأي شيء على الاطلاق 2 - يخضع لشروط واحكام شركة نواره لنقل والشحن العائسيه	
Driver Signature توقيع السائق		Prepared By اعدت من قبل	
PLACE OF RECEIPT مكان الاستلام		PLACE OF DELIVERY مكان التسليم	
RECEIPT		RECEIPT	
الزمن Time	التاريخ Date	الزمن Time	التاريخ Date
وصول ARRIVAL		وصول ARRIVAL	
تحميل LOADED		تفريغ OFF LOADED	
خروج EXIT		خروج EXIT	
وقوف BREAKS STOPPAGES		وقوف BREAKS STOPPAGES	
Received the above cargo container in good condition while the seal intact. استلمنا الحاوية المدونة اعلاه بحالة جيدة مع القفل محنوم.			
Name of receiver		اسم المسلم كابل	
Signature		التوقيع	
Stamp		الختم	

+966 92 002 8275 @ info@ntf-group.com https://www.ntf-group.com Tax ID: 301230965900003

ALIREZA-DELTA TRANSPORT CO. LTD.

P.O. BOX 4209, DAMMAM 31491
Kingdom of Saudi Arabia
Tel.: +966 13 8474999/8475111-5222-5333
Fax: +966 13 8141222
E-mail: info@alirezadelta.com.sa



شركة علي رضا - دلتا للنقل المحدودة

ص.ب: ٤٢٠٩، الدمام ٣١٤٩١
المملكة العربية السعودية
تلفون: ٥٣٣٣-٥٢٢٢-٨٤٧٥١١١ / ٩٦٦ ١٣ ٨٤٧٤٩٩٩
فاكس: ٩٦٦ ١٣ ٨١٤١٢٢٢
E-mail: info@alirezadelta.com.sa



EQUIPMENT INTERCHANGE

Check Slip Number : 562426

RECEIVED EMPTY

E. T. A : 05-Mar-2024

CONTAINER NO.	ALPHA PREFIX	NUMBER (INCL. CHECKDIGIT)	SIZE	TYPE
	H L X U	3 4 8 7 8 8 8	20	DC

SHIPPING LINE: FSSL

Date : 21-Mar-2024

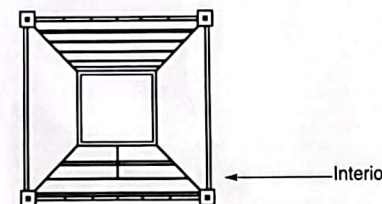
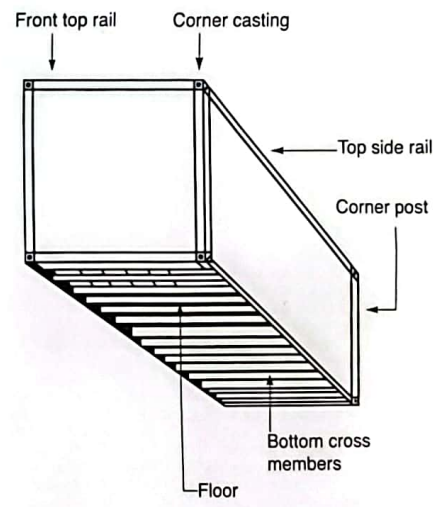
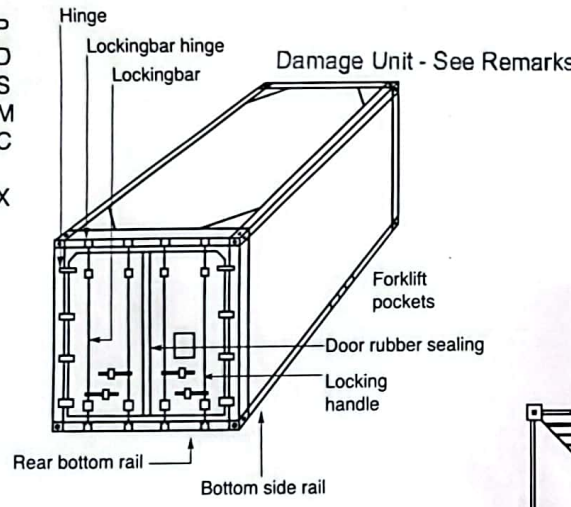
VESSEL NAME: RDO FAVOUR / 2359E

Time : 09:08 PM

Line Name : FUSION SPECIALIZED SHIPPING & LOGIS
BL No :
Reference No :
Seal No :
Truck No :

Above Container was inspected from outside and (if empty) inside. The undernoted deficiencies were observed:

- Punctured = P
- Dented = D
- Distorted = S
- Missing = M
- Corroded = C
- Miscellaneous refer = X
- Under Remarks = X



REMARKS:

FLOOR BROKEN

1. Received By A.D.T.C. In Good Condition Except As Noted Above.

Signature _____ AHMED

1. Received By (Name) _____
In Good Condition Except As Noted Above.

Signature _____

2. Delivered By (Name) _____

2. Delivered By A.D.T.C.

Signature _____

Signature _____